

**OFFICE OF THE PRINCIPAL
SOVARANI MEMORIAL COLLEGE
JAGATBALLAVPUR, HOWRAH, WEST BENGAL - 711408**

Website : www.smc.edu.in E-mail : tender@smc.edu.in

Contact Nos. (03214) 255038 / +919679226106

Notice Inviting Tender (NIT) for Electrical Work of the college

NIT No. SMC/06/01/2022 Dated : 10/01/2022

The Principal, on behalf of Sovarani Memorial College, is inviting Tenders from experienced electricians/electrical engineers for the following **Electrical Work**. In the tendering process, intending bidders may download the tender documents free of cost from the college website : www.smc.edu.in directly. All bidders are hereby requested to peruse the guidelines below meticulously before participating in the tender and comply with the terms and conditions contained in this tender document in letter and spirit.

Sl. No.	Name of Work	Time of Completion of work
1.	Preparing a proper platform for installation of two meters, cable laying to be started from the proposed panel, planned to be installed in Diesel Generator Room and thence to various buildings of the college as per the drawing and the BOQ containing the electrical materials to be fitted during execution, requisite number of earthing as per enclosed BOQ with modern technique and related requisite works.	30 (thirty) days from the date of receipt of the Work Order

Tendering Schedule

Sl. No.	Particulars	Date & Time
1.	Tender publication	10/01/2022 at 11:30 A.M.
2.	Bid submission closing	16/01/2022 at 2:00 P.M.
3.	Offline Bid submission time during office hours	Monday to Saturday : 11:30 a.m. - 2:00 p.m.
4.	Online Bid submission time	Any time before close
5.	Bid opening	16/01/2022 at 2:30 P.M. or later (to be announced by the Principal)

Required information as well as terms and condition :

1. The Bidder must submit the application along with requisite information and documents mentioned below online to the college email : tender@smc.edu.in

He may also submit the hard copies to the Principal in a sealed envelope, if the college remains open, between 11.30 a.m. and 2.00 p.m.

2. The Bidder must submit the labour charge (in INR only) for completing the entire work.

3. He must visit the spot in the college to have a clear conception of the work before submitting the tender.

4. He must submit a descriptive version of his method of execution, that must include upgraded as well as cost-effective technology for maintaining the proper standard and security of the electrical works.

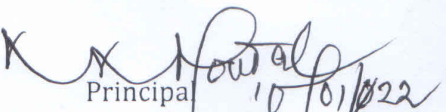
5. He must bring all the instruments required for executing the work and the college will have no liability for the same.

6. He must submit a document in support of his experience of working in educational institutions or big project of at least similar stature.

8. He has also to mention the percentage of rebate, if any.

9. The following documents along with the application have to be submitted :

- (i) Filled in application in the enclosed format for participating in the tendering Bid;
- (ii) Copy of NIT (enclosed);
- (iii) Declaration (enclosed)
- (iv) BOQ of electrical work (enclosed);
- (v) SDL Panel-SMC (enclosed)
- (vi) Quotation (Labour Charge) for the Bid;
- (vii) Copy of license for such electrical works;
- (viii) Copy of experience certificate;
- (ix) Copy of PAN card.
- (x) Copy of Voter card with address/Aadhaar card;
- (xi) 1st page of Bank Passbook in the name of the bidder or his firm;
- (xii) Mobile number linked to the Bank A/C.


Principal
Sovarani Memorial College

Principal
Sovarani Memorial College
Jagatballavpur, Howrah

Application Form for submission of Bid including Quotation.

To the Principal
Sovarani Memorial College
P.O. Jagatballavpur, Howrah - 711 408; W.B.

NIT No. with date :

Name of Work :

Dear Sir,

Having examined the NIT documents, I/we hereby like to state that I/we willfully accept all your terms and conditions and offer the bid for executing the work stated in the NIT as per Tender No. mentioned in the NIT.

1. Full name of applicant in block letters :

2. In the capacity of : (proprietor/partner)

3. Name of Firm in block letters :

4. Office/Residential address :

5. Telephone No.(s) (office) :

6. Mobile No.

7. E-mail ID :

8. Name, address & branch of Bank :

9. Account No. and type of A/C (Savings/Current) :

10. IFSC :

11. MICR Code :

12. PAN Card No.

13. Voter/Aadhaar Card No.

13. Brief description of the firm (work experience) :

Date & place :

Signature of proprietor/authorized person of the Firm
Designation of the signatory
Name of the Firm with Seal

.....
Form - III
Declaration Format

i) I /We (Name),, son of

(Father's Name), residing at

(Residential Address), having office at.....

(Business Address), do hereby solemnly affirm and declare as follows :

Ownership/Partnership Details :

ii) Reference of NIT No. & date

iv) That all documents submitted by me are genuine, authentic, true and valid.

v) That the Tender Inviting Authority has got full right to cancel my Tendering Bid with penal measure(s), if any, in case any of the statements furnished is proved false.

vi) That I/we have never been blacklisted; that neither any penalty or debarment was made against me/us nor against my Firm in any way at any Govt./Autonomous Body/Institution/Corporate House.

vii) That I/we have never abandoned the work assigned to me/us by any Govt. Department/Institution during the last five years.

viii) That I/we am/are a citizen(s) of India.

ix) That the above statements are true to the best of my knowledge and belief.

Signature with date of the owner/authorized partner
(Official Seal)

..... x

TENDER NO.: SMC/ 21 - 22/ ELECT - 001 DATE: 24/12/ 2021

BILL OF QUANTITIES

SOVARANI MEMORIAL COLLEGE, JAGATBALLAVPUR, HOWRAH, WEST BENGAL, PIN - 711408

TENDER DOCUMENTS FOR ELECTRICAL WORK RELATED TO MAIN LINE AND DG SET POWER DISTRIBUTION WORK WITH EARTHING, PANEL, CABLES, ETC. AS PER DETAILED BOQ, GIVEN BELOW

S.NO.	ITEM DESCRIPTION	QTY	UNIT	Material		Labour		AMOUNT	Brand Specified
				Rate	Total	Rate	Total		
SECTION : A (ELECTRICAL PANEL, CABLING AND EARTHING)									
1	Fabrication, supply, installation and commissioning of totally enclosed, indoor wall mounting panel, made of 16 SWG sheet steel, powder coated with cable alley, top and bottom entry facility and made with all necessary safety features as per relevant BIS standard. The panel will consist of following items: a) 100A 4P ON LOAD CHANGEOVER - 4 NOS. b) 100A 4P MCCB with front operative rotary handle - 4 nos. c) 63A 4P MCCB - 12 nos. As outgoing in 2 sections, 6 in each d) Electrolytic grade 150A TPN Aluminium Bus Bar e) Interconnection with suitable rating flexible copper wire f) Digital Volt Amp meter - 2 sets g) LED TP phase indicators with control fuses, copper control wiring, terminal, Main ON/ DG ON indicators etc. complete. (Panel to be fabricated with prior approval of GA drawing from College authority and strictly as per enclosed SLD) (TO BE INSTALLED AT DG ROOM)	1	set	-	-	-	-	-	MCCB, MCB , Meters, Indicators: L & T , COPPER WIRES: Finolex/ Havells/ Polycab
2	Supply and laying of 3.5 core 50 sq. mm. 1.1kV grade aluminium conductor XLPE insulated aluminium conductor armoured cable. a) Laying on the wall with clamp/ on the trays or in the masonry trench. b) Laying underground by cutting soft soil to a depth of 600 mm and putting brick protection (8 nos. pricked brick over the cable after putting a layer of soft soil over the laid cable.) and making the damage good.	70	M	-	-	-	-	-	Havells/ Finolex/ Gloster
3	Supply and laying of 3.5 core 35 sq. mm. 1.1kV grade aluminium conductor XLPE insulated aluminium conductor armoured cable. a) Laying on the wall with clamp/ on the trays or in the masonry trench. b) Laying underground by cutting soft soil to a depth of 600 mm and putting brick protection (8 nos. pricked brick over the cable after putting a layer of soft soil over the laid cable.) and making the damage good.	10	M	-	-	-	-	-	Havells/ Finolex/ Gloster
4	End termination of cables with double compression brass gland and aluminium lugs.	100	M	-	-	-	-	-	Havells/ Finolex/ Gloster
		25	M	-	-	-	-	-	Havells/ Finolex/ Gloster



TENDER DOCUMENTS FOR ELECTRICAL WORK RELATED TO MAIN LINE AND DG SET POWER DISTRIBUTION WORK WITH EARTHING, PANEL, ETC. AS PER DETAILED BOQ, GIVEN BELOW

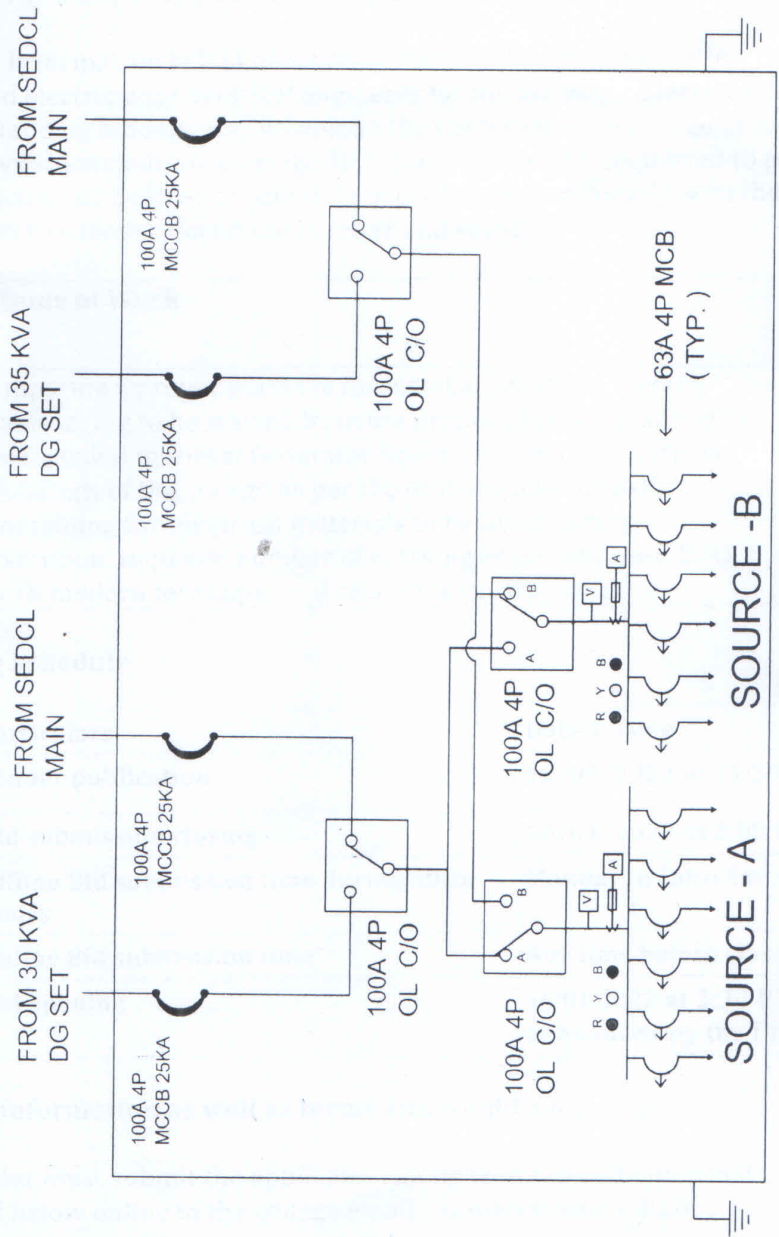
S.NO.	ITEM DESCRIPTION	QTY	UNIT	Material		Labour		AMOUNT	Brand Specified
				Rate	Total	Rate	Total		
	a) 3.5 core 50 sq. mm.	2	set						
	b) 3.5 core 35 sq. mm.	4	set						
5	Making Earth station as per IS -3043 including supply of materials: a) Pipe earthing with 50mm. Dia. 3 M. long GI Pipe, salt, charcoal, masonry chamber, CI cover complete as required. 6 Nos.	6	Nos.						
6	Supply and laying of earth conductor of following sizes and types: a) 25x3 mm. size GI earth strip. b) 8 SWG bare copper wire	60	M						
7	25x6 mm GI earth bus of 200mm long with 8 holes, nut-bolts and base mounting insulator.	100	M						
8	20x 3 mm Copper earth bus of 200mm long with 8 holes, nut-bolts and base mounting insulator.	2	Nos.						
9	Supply and installation of cable protection pipe: a) 75mm. Dia. GI (Class - B).	12	M						JINDAL/ BANSAL
				TOTAL:					

- N.B.:**
1. QUANTITIES GIVEN ABOVE ARE TENTATIVE. ONLY ACTUAL QUANTITIES REQUIRED AT SITE TO BE PROCURED AND BILLED AFTER INSTALLATION.
 2. VENDOR, AWARDED WITH THE W.O. SHOULD TAKE CARE OF HIS MATERIALS BROUGHT TO SITE FOR THE JOB. OWNER IS NOT RESPONSIBLE FOR ANY MATERIAL AND THE JOB UNDER PROGRESS TILL THE JOINT MEASUREMENT IS DONE AND SITE IS HANDED OVER OFFICIALLY.
 3. IN CASE ANY SPECIFIED MATERIAL IS NOT AVAILABLE VENDOR SHOULD INFORM THE MATTER TO THE OWNER/ CONSULTANT OFFICIALLY AND FIND OUT THE SOLUTIC PART TO BE BORNE BY THEMSELVES.
 4. VENDOR SHOULD QUOTE AFTER ACKNOWLEDGING THE SITE REQUIREMENT AND CONDITIONS, ANY FINANCIAL IMPLICATIONS ARISES OUT OF IGNORANCE ON VENDO



SOURCE - A

SOURCE - B



NOTE

1. ALL INTERCONNECTING CABLES OF CHANGEOVER TO BE DONE WITH 25 SQ.MM. FLEXIBLE CU. CABLE
2. CU. CABLE ENDS SHOULD BE PROPERLY CRIMPED WITH CU. LUGS OF DOWELLS OR SIMILAR MAKE.
3. THE PANEL TO BE MADE OF 16 SWG CRC SHEET STEEL POWDER COATED OF SIEMENS GREY COLOUR. SUITABLE FOR WALL MOUNTING WITH FOUR NOS. CLAMP, DOUBLE EARTHING CONNECTION FACILITY, CABLE ALLEY WITH TOP & BOTTOM ENTRY GLAND PLATES.



CLIENT : SOVARANI MEMORIAL COLLEGE J.B. PUR, HOWRAH, W.B.	PROJECT : SLD OF PROPOSED PANEL	DRAWN BY M. SAIKAT	CHKD. BY S. GHOSHAL	DRG. NO. EE/SMC/096	SCALE NTS	DATE 24/12/2021	REV. NO. 00