



Phone : Fax : 03214-255-038
Mobile : 9679226115 (Office)
9679226106 (Principal)

SOVARANI MEMORIAL COLLEGE

NAAC RE-ACCREDITED WITH 'A' -GRADE (2ND CYCLE)
JAGATBALLAVPUR, HOWRAH-711408

Estd.-1971

website : www.sovarani.net * e-mail : srmcollege.edu@gmail.com

Ref. No. SMC/08/02/2022

Date 28/02/2022

OFFICE OF THE PRINCIPAL
SOVARANI MEMORIAL COLLEGE
JAGATBALLAVPUR, HOWRAH, WEST BENGAL - 711408

Website : www.smc.edu.in E-mail : tender@smc.edu.in

Contact Nos. (03214) 255038 / +919679226106

The principal, on behalf of Sovarani Memorial College, is inviting Tenders from eligible manufacturers/vendors/distributors for the following **Electrical Work**. In the tendering process, intending bidders may download the tender documents free of cost from the college website : **www.smc.edu.in** directly. All bidders are hereby requested to peruse the guidelines below meticulously before participating in the tender and comply with the terms and conditions contained in this tender document in letter and spirit.

Sl. No.	Name of Work	Time of Completion of work
1.	Supplying one SLD Panel as per specifications enclosed herewith for electrical work of Sovarani Memorial College.	15 (fifteen) days from the date of receipt of the Work Order

Tendering Schedule

Sl. No.	Particulars	Date & Time
1.	Tender publication	28/02/2022 at 12:30 P.M.
2.	Bid submission	28/02/2022 at 12:30 P.M.





Phone : Fax : 03214-255-038
Mobile : 9679226115 (Office)
9679226106 (Principal)

SOVARANI MEMORIAL COLLEGE

NAAC RE-ACCREDITED WITH 'A' -GRADE (2ND CYCLE)
JAGATBALLAVPUR, HOWRAH-711408

Estd.-1971

website : www.sovarani.net * e-mail : srmcollege.edu@gmail.com

Ref. No. SMC/08/02/2022

Date 28/02/2022


Tendering Schedule

Sl. No.	Particulars	Date & Time
1.	Tender publication	28/02/2022 at 12:30 P.M.
2.	Bid submission	28/02/2022 at 12:30 P.M.
3.	Bid closing	03/02/2022 at 3:00 P.M.
4.	Bid opening	Will be announced later on the college website. Bidders may also contact the principal.

Required information as well as terms and condition :

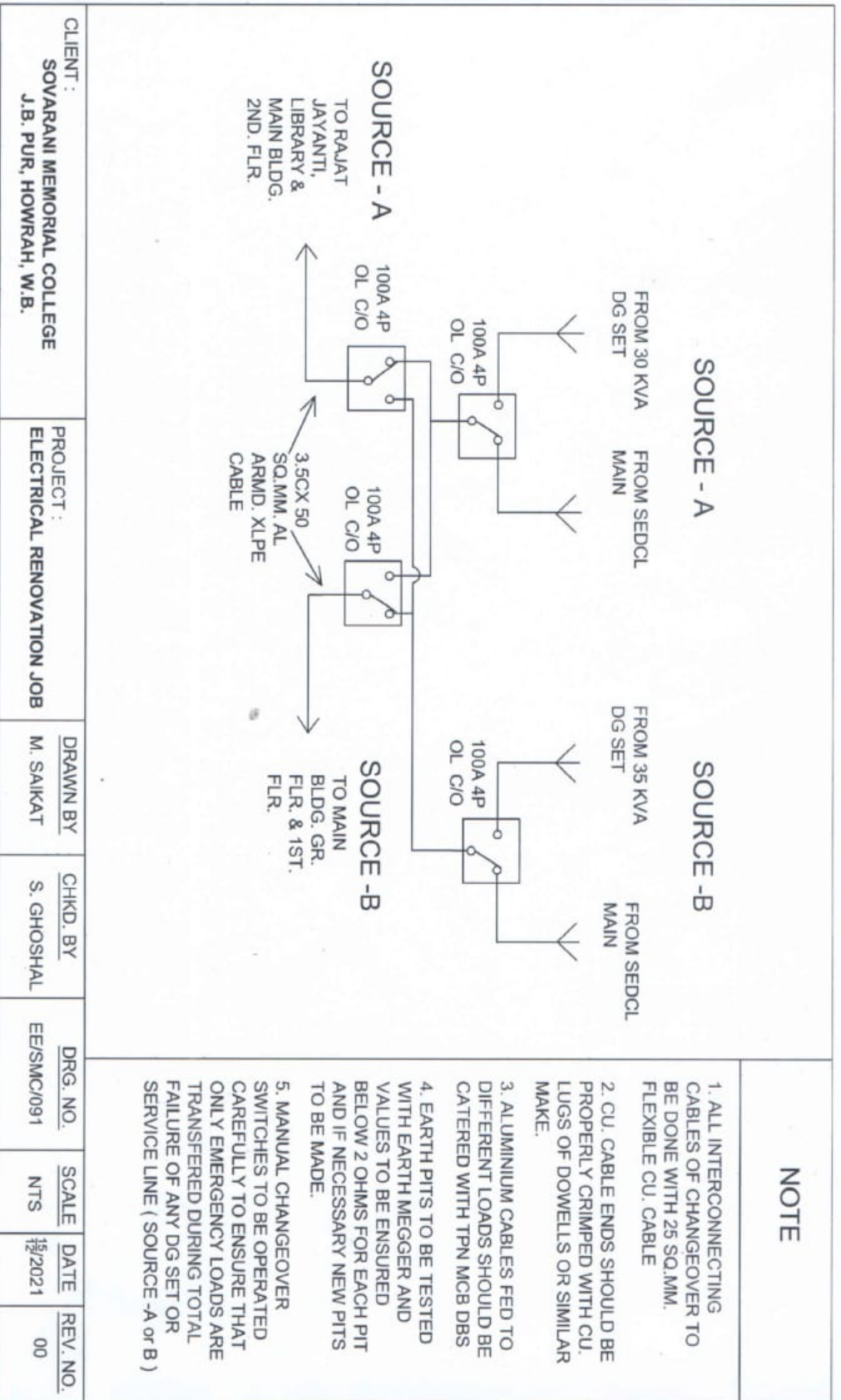
1. The bidder must submit the application with requisite information.
2. He must submit a draft Diagram of the SLD Panel and the items of L&T or similar make to be used. He must consult the electrical engineer engaged by the college authority and manufacture the same in accordance with his instructions and Govt. norms.
3. He may visit the spot in the college for having a clear picture of the work and submit a graphic plan, estimate & method of execution for the entire work.
4. He has also to mention the percentage of rebate, if any.
5. The bidder may upload the scanned copies of the following documents to the college email : tender@smc.edu.in He may also submit the hard copies to the principal in a sealed envelope, if the college remains open :

- (i) Application for participating in the tendering bid along with the Quotation;
- (ii) Govt. License for such electrical works;
- (iii) Enlistment Credential under WBSEDCL;
- (iv) Graphic sketch of the entire work as far as possible;
- (v) List of items of L & T or similar reputed brand;
- (vi) Copy of NIT;
- (vii) Copy of PAN card;
- (viii) Copy of Voter/Aadhaar card;


Principal 28/02/2022
Sovarani Memorial College
Principal
Sovarani Memorial College
Jagatballavpur, Howrah



M. S. Ghoshal
Principal
Sovarani Memorial College
Jagatballavpur, Howrah



NOTE

1. ALL INTERCONNECTING CABLES OF CHANGEOVER TO BE DONE WITH 25 SQ.MM. FLEXIBLE CU. CABLE
2. CU. CABLE ENDS SHOULD BE PROPERLY CRIMPED WITH CU. LUGS OF DOWELLS OR SIMILAR MAKE.
3. ALUMINIUM CABLES FED TO DIFFERENT LOADS SHOULD BE CATERED WITH TPN MCB DBS
4. EARTH PITS TO BE TESTED WITH EARTH MEGGER AND VALUES TO BE ENSURED BELOW 2 OHMS FOR EACH PIT AND IF NECESSARY NEW PITS TO BE MADE.
5. MANUAL CHANGEOVER SWITCHES TO BE OPERATED CAREFULLY TO ENSURE THAT ONLY EMERGENCY LOADS ARE TRANSFERRED DURING TOTAL FAILURE OF ANY DG SET OR SERVICE LINE (SOURCE -A or B)

CLIENT : SOVARANI MEMORIAL COLLEGE J.B. PUR, HOWRAH, W.B.	PROJECT : ELECTRICAL RENOVATION JOB	DRAWN BY M. SAIKAT	CHKD. BY S. GHOSHAL	DRG. NO. EE/SMC/091	SCALE NTS	DATE 15/2021	REV. NO. 00
---	--	-----------------------	------------------------	------------------------	--------------	-----------------	----------------